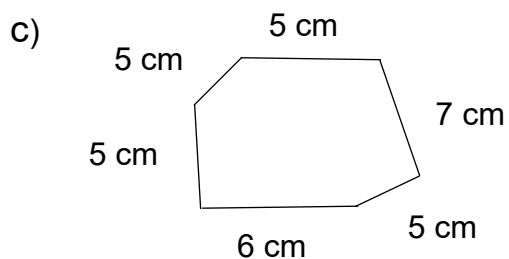
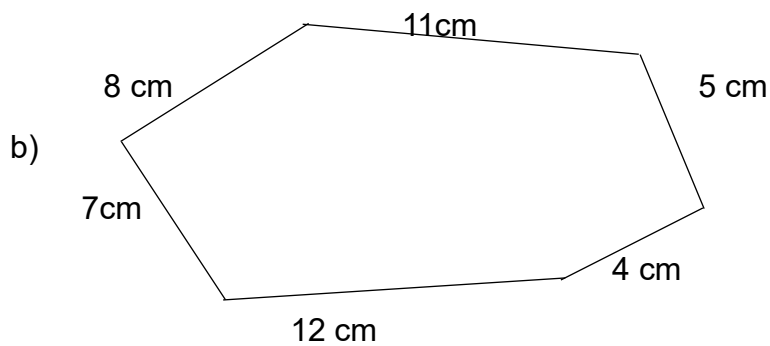
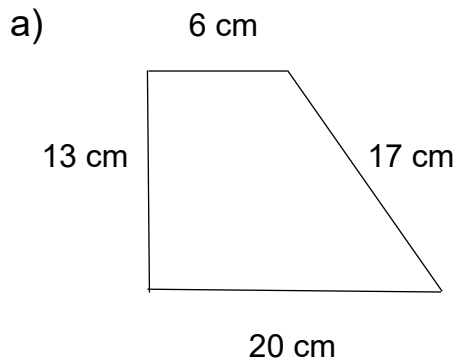




STANDARD 5TH: CHAPTER 12

Perimeter & Area

Q.1 Find perimeter of each fig.



Q.2 Length & sides of triangles are given below. Find their perimeters.

a) 6 cm, 6.5 cm, 7.5 cm

b) 9.1 cm, 13.4 cm, 11.7 cm

Q.3 Length of side of square is 6.7 cm find P.

Q.4 Perimeter of equilateral triangle is 33.3 cm. Find its side.

Q.5 Find side of a regular pentagon having $P = 32.5$ cm

Q.6 Side of a square is 15 cm, Perimeter of regular hexagon is equal to that of square. Find side of hexagon.

Q.7 If Anand takes 6 rounds of a ground that is 170m long & 80m wide. Find the distance in km, he covers.

Q.8 Length of rectangular plot is 50m & width 40m. A triple fence is to be put along its edges at cost.

Q.9 Find area of each square give below.

- a) 12 m b) 18 m c) 23 m d) 29m

Q.10 Cost of 1 m^2 plot of land is 900 Rs. Find total cost of plot which is 25m long & 20m broad.

Q.11 Rectangular Hall measures 30m x 18m. Find cost of pairing its floor @75 Rs. Per m^2

Q.12 Find area of each rectangle given below.

a)	25 cm, 18 cm
b)	8.4 m, 14.5 m
c)	17.2m, 10.5 m
d)	9.3 km. 7.8 km

Q.13 Find area of square whose perimeter is 48 cm.

Q.14 Area of square is 576 cm^2 , find its perimeter

Q.15 Side of square is 1m. Find its area in cm^2 & decim^2

Q.16 How many sq.m. make 1 sq. km?

Q.17 Length of rectangle is 15.6 cm. If its breadth is $\frac{2}{3}$ of its length. Find its area.

Q.18 Sides of a carpet are 2m x 3m. Sides of a hall are 27m x 20m.

How many carpets are required?

Q.19 Areas of a sq. & a rectangle are equal. Side of sq. is 14 cm.

One side of rectangle is 20 cm, find its other side.

Q. 20 Sides of a rectangular garden are 200 m & 160 m There is a jogging track of 3.5m width inside garden along its sides. Find area of tract.